



# Data Sheet

## SD-130

*Distributed by*



[www. BristolInstruments.com](http://www.BristolInstruments.com)

Bristol Instruments  
90 Canal Street - 4th Floor  
Boston, MA 02114

Toll free  
877-866-8500

# Digital pressure gauge with internal diaphragm and alarm contacts

**Accuracy: 0.1%**

**Standard output: 4...20 mA; 2-wire**  
**or 0...5 VDC; 3-wire**  
**or 0...10 VDC; 3-wire**  
**or / and with 2 alarm contacts**



## Features

- Highly resistant to temperature variation
- Storage min/max values
- Set zero point using keypad
- High accuracy and long-term stability
- Can be used for corrosive, gaseous and liquid media which do not tend to crystallize, or be highly viscous or attack the measuring material.

## Applications

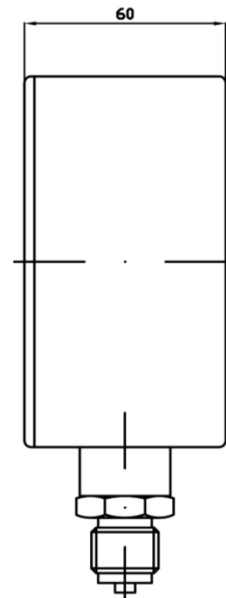
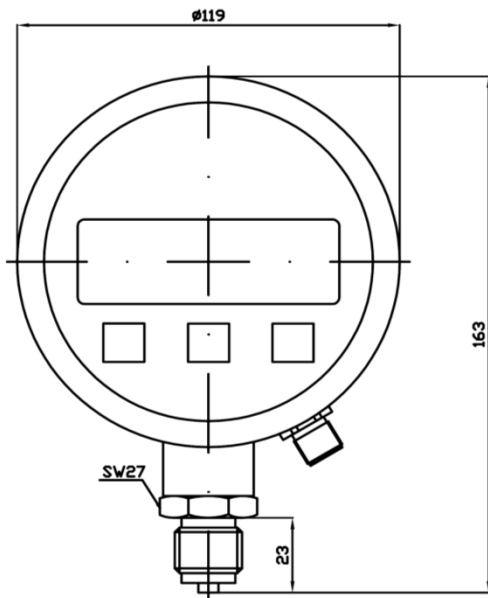
- Laboratory
- Engineering and machinery
- Quality assurance

Model	SD-130
Accuracy	0.1 % of full scale value
Connection thread	1/2" NPT, stainless steel 316L
Display	LCD blue-white, two-line with backlighting
Display ranges in mbar	0... 100, 160, 250, 400, 600
Display ranges in bar	0... 1, 1,6 2,5, 4, 6, 10, 16, 25, 40, 60, 100, 160, 250, 400
Display ranges in psi	0...1.5, 2.5, 3.5, 5, 10, 15, 20, 35, 60, 100, 150, 200, 350, 500, 600
	0...1,000, 1,500, 2,000, 3,500, 5,000, 6,000
Overpressure- proof	2-times full scale value
Sensor element	piezoresistive stainless steel cell to 25 bar, from 40 bar thin film technology, welded
Case	Aluminum anodized
Wetted parts	CrNi-steel 316L, with piezoresistive stainless steel cel with Viton O-ring
Pressurized conn.	SW 27, CrNi-steel 316L
Electrical connection	via circular plug M 12x1, 4-pole
Power supply	14...30 VDC
Contact output	2 relays as change-over contact, 6 A 250 V AC, but min. 12 V 10 mA via cable junction box
Current consumption	max. 50 mA
Permissible load	current 2-wire: $R_{max} = ((UB-UB_{min}) / 0,02) \text{ Ohm}$ , voltage: $R_{min} = 10 \text{ K Ohm}$
Short circiut stab.	S + against U -
Polarisation stab.	U + against U -
CE-conformity	Pressure equipment directive - 97/23 / EC EMC Directive - Emissivity and immunity (industrial area) according to EN 61 326
Lifetime	> 50 millions of endurance cycles
Temp. comp. Range	32°F to 185°F (0...85 °C)
Temperature balance	0.05 % / 10 K, on zero point and measuring element
Protection type	IP 65 according to EN 60529 / IEC 529
Temperatures	Medium: -4°F to 212°F (-20°C to 100°C), Ambient: -13°F to 176°F (-25°C to 80°C)
Weight	1.33 lbs (0.6 kg)

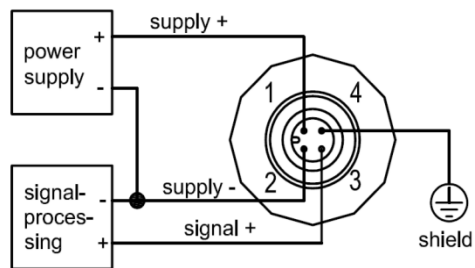
# Dimensions and Design

## Model SD-130

Standard version  
Circular plug M 12x1, 4-pole

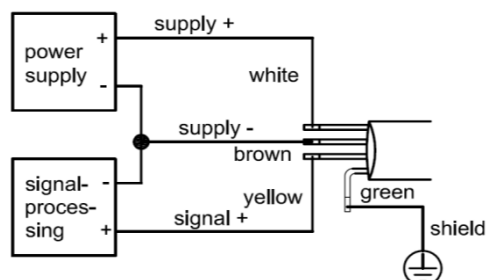


### 3-wire system 4...20 mA and 0...5/10 V



option  
cable outlet with 2 meters securely connected PVC-cable,

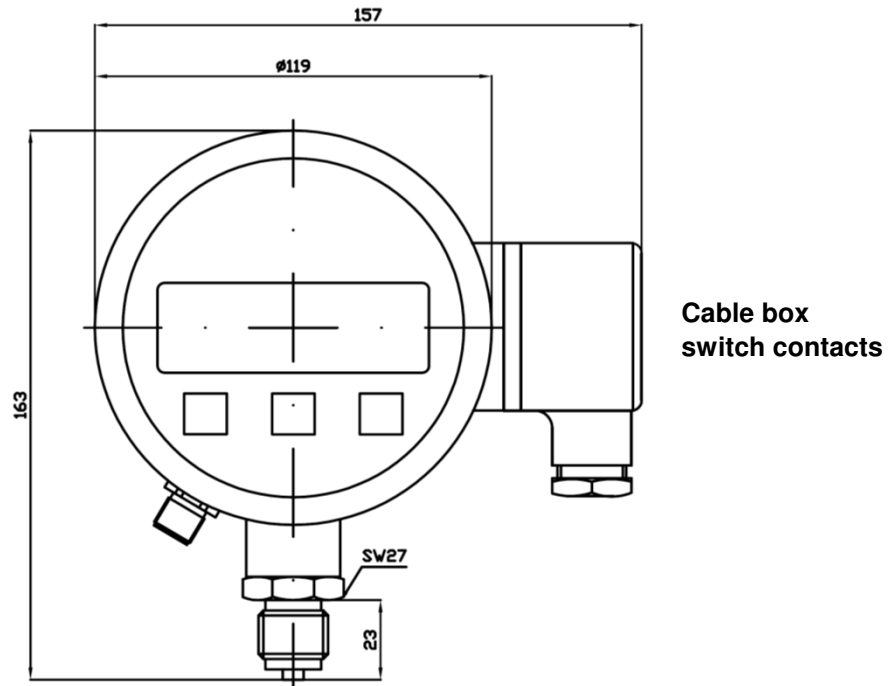
### 3-wire system 4...20 mA and 0...5/10 V



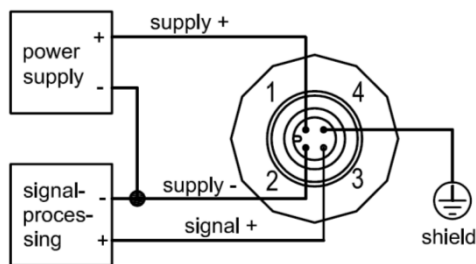
## Dimensions and Design

### Model SD-130

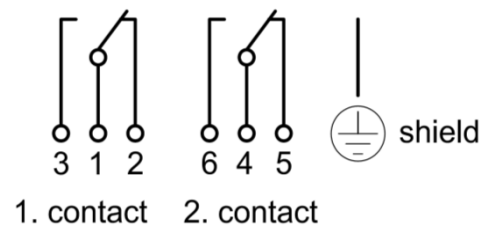
optionally with one or two switching contacts



#### 3-wire system 4...20 mA and 0...5/10 V



#### Connection of the switch contacts



Exclusively distributed in North America by:



Phone: 877-866-8500  
[www.bristolinstruments.com](http://www.bristolinstruments.com)  
 90 Canal Street, 4th Floor • Boston, MA 02114