



Data Sheet TB-10 Series

Distributed by



www.bristolinstruments.com

Bristol Instruments
90 Canal Street - 4th Floor
Boston, MA 02114

Toll free
877-866-8500

Thermometer with Bimetal coil Standard version

Dial size: ND of 2½, 3, 4 and 6 in.
(63, 80, 100 and 160 mm)

Accuracy: ±2.0% of full scale

Features

Simple construction
Short energizing time

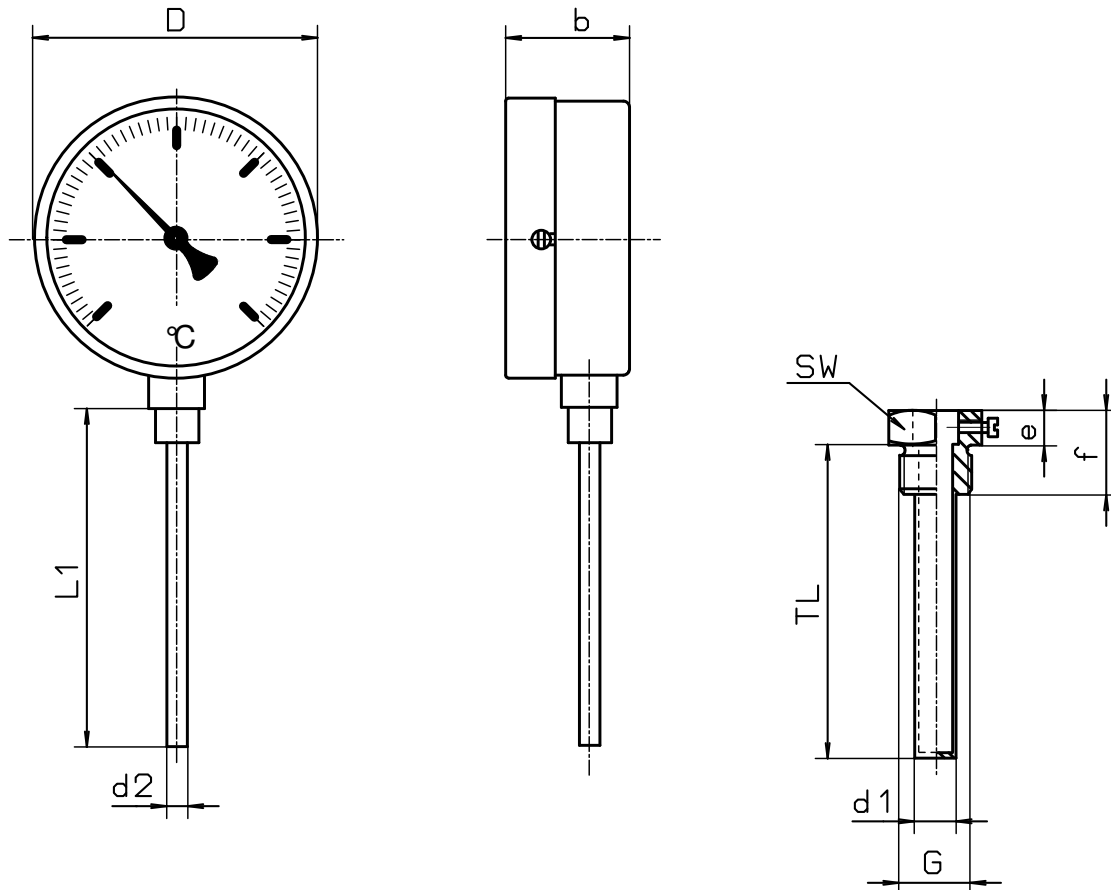
Applications

Heating systems
Industrial machines



Model and ND	TB-10 63	TB-10 80	TB-10 100	TB-10 160
Connection	bottom			
Ranges	-22 to +122°F, -4 to +140°F 14 to 122°F, 32 to 104°F, 32 to 140°F, 32 to 176°F, 32 to 212°F, 32 to 248°F, 32 to 320°F, 32 to 392°F, 32 to 482°F			
Accuracy	±2.0% of full scale value			
Case	Steel , zinc plated			
Bezel	Steel , nickel plated			
Window	Acrylic glass			
Dial	Aluminium white ,scale and imprint black			
Pointer	Aluminium, black			
Measuring element	Bimetal coil			
Display correction	at plain stem end			
Stem	Copper alloy , diameter 9 mm			
Thermowell	thermowell detachable with lateral screw SW 21, copper alloy			
Stem length	45, 63, 100, 150, 200, 250 mm, other length on request			
Connection thread	½ in NPT or G ½ B			
max.operatg. pressure	up to 3.9 in (100 mm) length: 232 psi, > 3.9 in (100 mm): 87 psi			
Protection	IP 41 to EN 60529 / IEC 529			
Weight	2.5 oz	2.8 oz	4.6 oz	9.9 oz

Dimensions



Dimensions in mm									
Model	NG	D	b	d1	d2	e	f	sw	G
TB-10	63	63	45	12	9	8	19	21	G 1/2 B
TB-10	80	80	45	12	9	8	19	21	G 1/2 B
TB-10	100	100	50	12	9	8	19	21	G 1/2 B
TB-10	160	160	50	12	9	8	19	21	G 1/2 B

Model specification

Model	Connection	Nominal size	Ranges	Length
TB-1	0	f.e.100	f.e.120	f.e. 100
	Connection bottom = 0	Case ND 63 = 63 Case ND 80 = 80 Case ND 100 = 100 Case ND 160 = 160	after Range specification or direct temperature	sensorlength in mm