



Data Sheet

SD130

Distributed by



[www. BristolInstruments.com](http://www.BristolInstruments.com)

Bristol Instruments
90 Canal Street - 4th Floor
Boston, MA 02114

Toll free
877-866-8500

Digital pressure gauge with internal diaphragm and alarm contacts

Accuracy: 0.1%

Standard output: 4...20 mA; 2-wire
or 0...5 VDC; 3-wire
or 0...10 VDC; 3-wire
or / and with 2 alarm contacts



Features

Highly resistant to temperature variation
 Storage min/max values
 Set zero point using keypad
 High accuracy and long-term stability
 Can be used for corrosive, gaseous and liquid media
 which do not tend to crystallize, or be highly viscous or
 attack the measuring material.

Applications

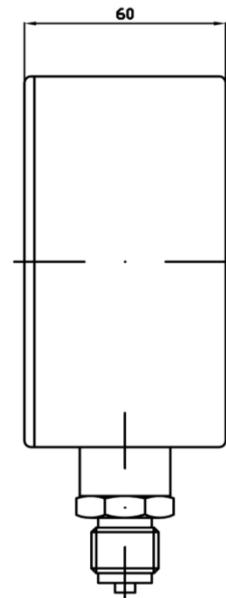
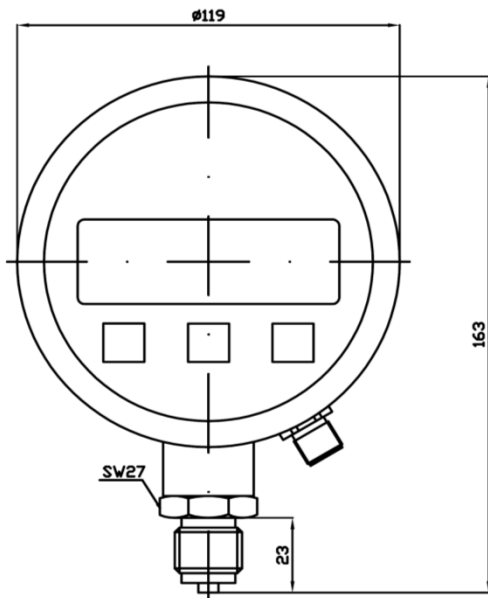
Laboratory
 Engineering and machinery
 Quality assurance

Model	SD-130
Accuracy	0.1 % of full scale value
Connection thread	1/2" NPT, stainless steel 316L
Display	LCD blue-white, two-line with backlighting
Display ranges in mbar	0... 100, 160, 250, 400, 600
Display ranges in bar	0... 1, 1,6 2,5, 4, 6, 10, 16, 25, 40, 60, 100, 160, 250, 400
Display ranges in psi	0...1.5, 2.5, 3.5, 5, 10, 15, 20, 35, 60, 100, 150, 200, 350, 500, 600 0...1,000, 1,500, 2,000, 3,500, 5,000, 6,000
Overpressure-proof	2-times full scale value
Sensor element	piezoresistive stainless steel cell to 25 bar, from 40 bar thin film technology, welded
Case	Aluminum anodized
Wetted parts	CrNi-steel 316L, with piezoresistive stainless steel cell with Viton O-ring
Pressurized conn.	SW 27, CrNi-steel 316L
Electrical connection	via circular plug M 12x1, 4-pole
Power supply	14...30 VDC
Contact output	2 relays as change-over contact, 6 A 250 V AC, but min. 12 V 10 mA via cable junction box
Current consumption	max. 50 mA
Permissible load	current 2-wire: $R_{max} = ((UB-UB_{min}) / 0,02)$ Ohm, voltage: $R_{min} = 10$ K Ohm
Short circuit stab.	S + against U -
Polarisation stab.	U + against U -
CE-conformity	Pressure equipment directive - 97/23 / EC EMC Directive - Emissivity and immunity (industrial area) according to EN 61 326
Lifetime	> 50 millions of endurance cycles
Temp. comp. Range	32°F to 185°F (0...85 °C)
Temperature balance	0.05 % / 10 K, on zero point and measuring element
Protection type	IP 65 according to EN 60529 / IEC 529
Temperatures	Medium: -4°F to 212°F (-20°C to 100°C), Ambient: -13°F to 176°F (-25°C to 80°C)
Weight	1.33 lbs (0.6 kg)

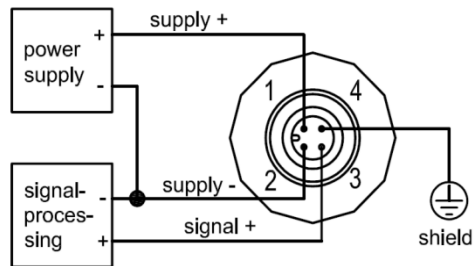
Dimensions and Design

Model SD-130

Standard version
Circular plug M 12x1, 4-pole

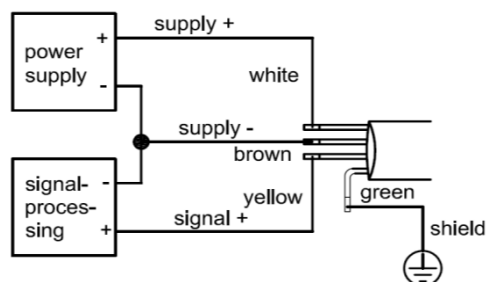


3-wire system 4...20 mA and 0...5/10 V



option
cable outlet with 2 meters securely connected PVC-cable,

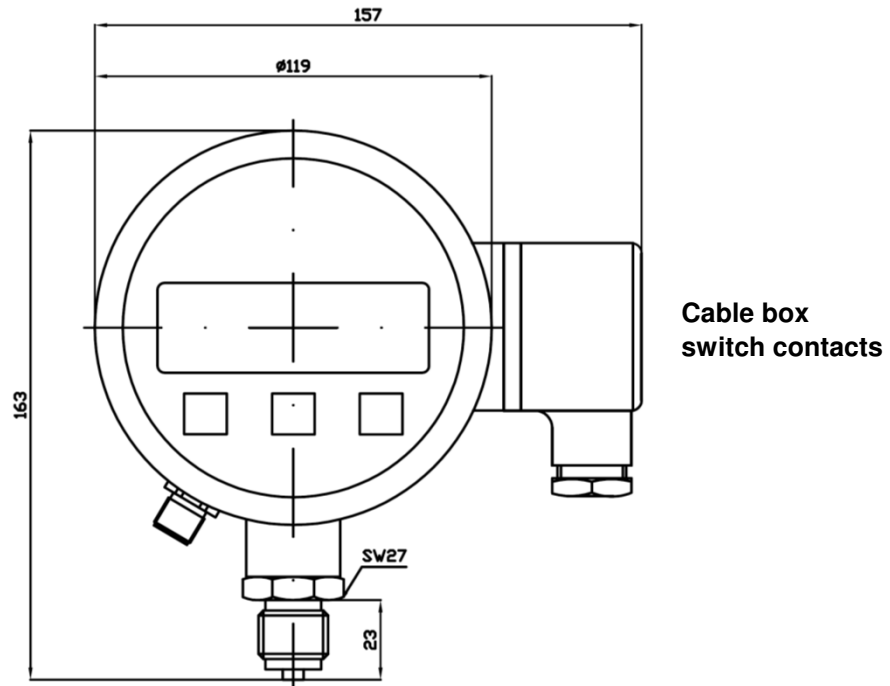
3-wire system 4...20 mA and 0...5/10 V



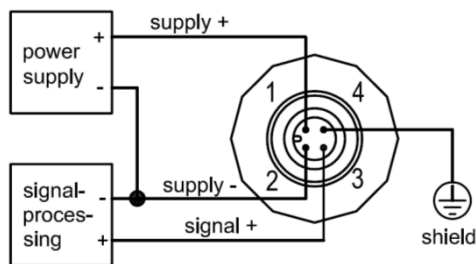
Dimensions and Design

Model SD-130

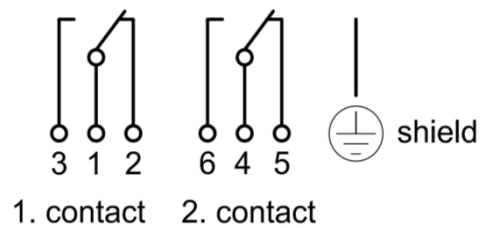
optionally with one or two switching contacts



3-wire system 4...20 mA and 0...5/10 V



Connection of the switch contacts



Exclusively distributed in North America by:



Phone: 877-866-8500
 www.bristolinstruments.com
 65 Sprague Street • Boston, MA 02136