

Resistance Thermometer for Screwing in

Class B according to DIN IEC 751

Form B according to DIN 43 765 / 43 766



Features

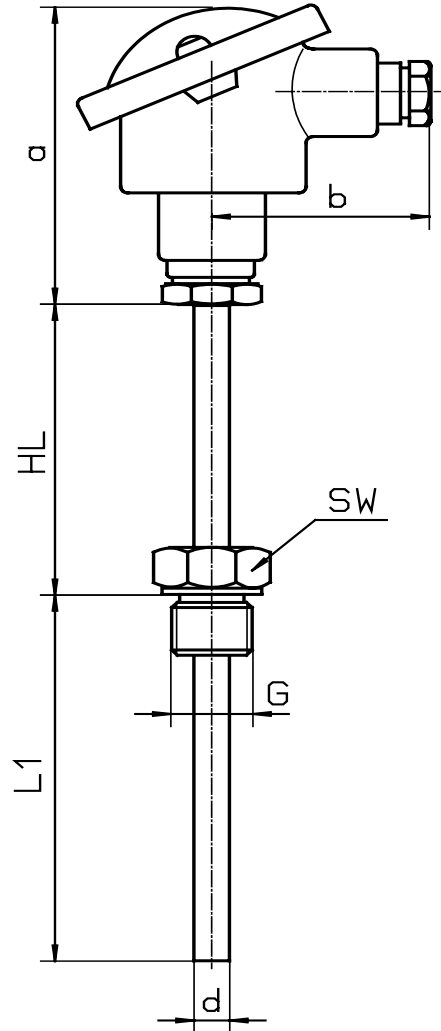
Universal thermometer for low pressure
Interchangeable insert according to DIN
Special versions on request

Applications

Air Conditioning
Tank- and pipe construction
Chemical- and petrochemical industry
Mechanical Engineering and Machinery

Model	ST-20	ST-22	ST-24	ST-26
Design	with Extensionstube		without Extensionstube	
Sensor element	changeable	fast	changeable	fast
Range	-200...+600 °C			
Sensor element	Pt 100 in 2-, 3- or 4-wire			
Head	Form B			
Thermowell	Diameter 9 x 1 mm, CrNi steel			
Connection	SW 27, CrNi steel			
Connection thread	G 1/2 B			
Elektr. Connection	Ceramic stone in head, over PG 16			

Dimensions



Dimensions in mm							
Model	a	b	d	HL	L1	SW	G
ST-20	80	50	11	120		27	G 1/2 B
ST-22	80	50	11	122		27	G 1/2 B
ST-24	80	50	11	-		27	G 1/2 B
ST-26	80	50	11	-		27	G 1/2 B