

Filter Fan



Description

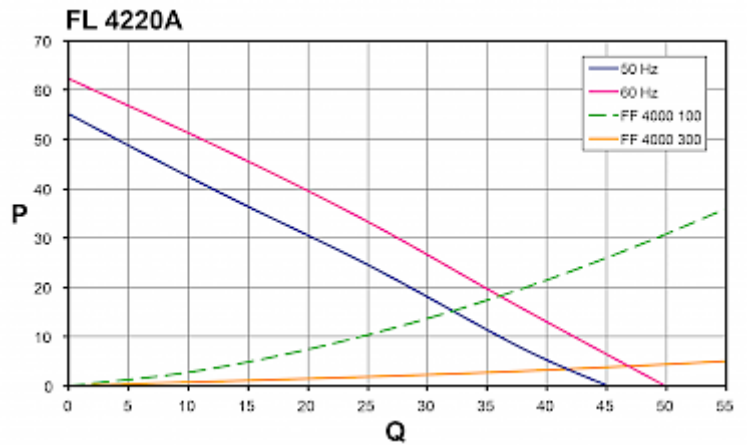
Order Number:	4220A3000
Color:	RAL 7035
Housing Material:	ABS Plastic
Ingress protection:	IP 54, Type 12, 3R
Optional:	# 4220A3003 black 4220A3033 black, NEMA 3R
Approvals:	CE, cULus, CSA

Technical data

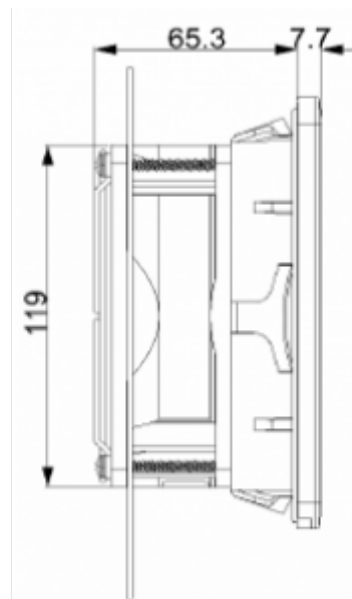
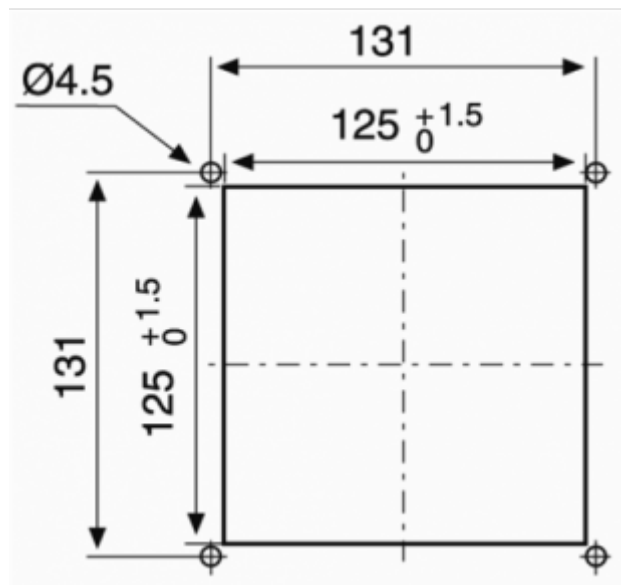
Operating temperature range:	14°F - +131°F
Air volume flow unimpeded:	29 cfm
Static pressure:	0.25 inH2O
Dimension H x W x D:	5.9 x 5.9 x 2.9 inch
Weight:	1.8 lbs
Cut out dimensions:	4.9 x 4.9 (+0.06) inch
Voltage / Frequency:	120 V ~ 60 Hz
Rated current:	0.18 A
Power consumption:	15 W
Degree of separation:	85% - DIN 24185
Wall thickness:	0.04 - 0.08 in.
Filter class:	G3 according to EN 779
Installation:	Elastic clips or by 4 self-threading screws
Noise level:	48 dB(A) @ 50 Hz 54 dB(A) @ 60 Hz

Air flow:

Q = Air flow [m³/h]
 P = Static pressure [Pa]



Cut out dimensions:



Order Information

With NEMA 3R protection part no.	4220A3030
Taric code	84145915
GTIN (EAN)	5350604100312