

Filter Fan



Description

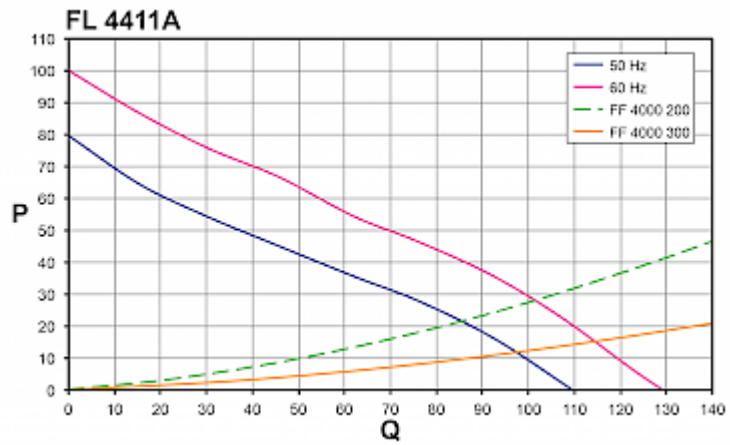
Order Number:	4411A3000
Color:	RAL 7035
Housing Material:	ABS Plastic
Ingress protection:	Type 12, 3R
Optional:	# 4411A3003 black # 4411A3033 black, NEMA 3R
Approvals:	CE, cURus, cULus, CSA

Technical data

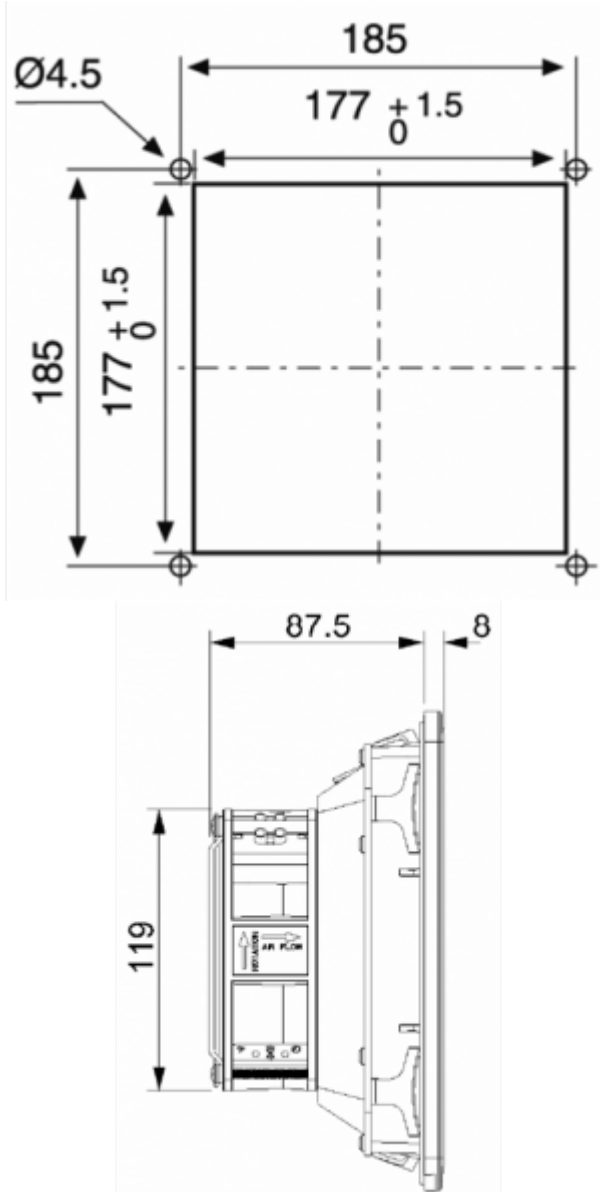
Operating temperature range:	14°F - +131°F
Air volume flow unimpeded:	77 cfm
Static pressure:	0.40 inH2O
Dimension H x W x D:	8.0 x 8.0 x 3.8 inch
Weight:	2.7 lbs
Cut out dimensions:	7.0 x 7.0 (+0.06) inch
Voltage / Frequency:	120 V ~ 60 Hz
Rated current:	0.18 A
Power consumption:	15 W
Degree of separation:	85% - DIN 24185
Wall thickness:	0.04 - 0.08 in.
Filter class:	G3 according to EN 779
Installation:	Elastic clips or by 4 self-threading screws
Noise level:	44 dB(A)

Air flow:

Q = Air flow [m³/h]
P = Static pressure [Pa]



Cut out dimensions:



Order Information

In RAL 9005	4411A3003
With NEMA 3R protection part no.	4411A3033
Taric code	84145915
GTIN (EAN)	5350604100350